

Fluid Systems Inc. Atmospheric Degasser



The Fluid Systems Atmospheric Degasser removes retained gas from drilling muds. Atmospheric degassers process mud by accelerating fluid through a submerged pump impeller and impinging the fluid on stationary baffles to maximize surface area and thus enable gasses to escape to the atmosphere.

As with all processing equipment the process rate is dependent upon solids content and fluid viscosity. Processing rates are therefore dependent on mud properties.



Houston Office

16619 Aldine Westfield
Houston, TX 77032
Tel. 832-467-9898
FAX 832-467-9897



**Fluid
Systems
Inc.**

New Orleans Office

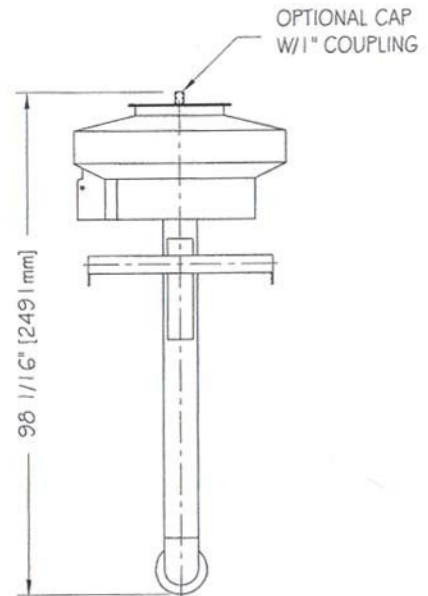
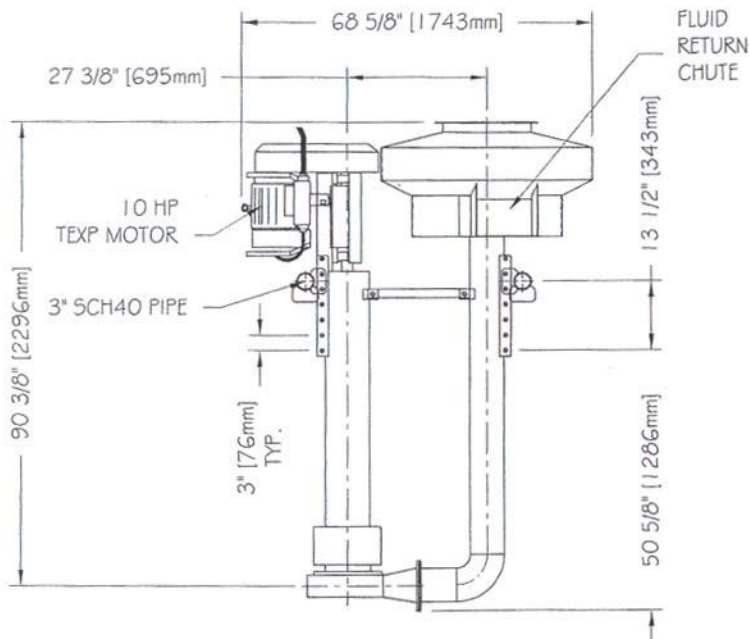
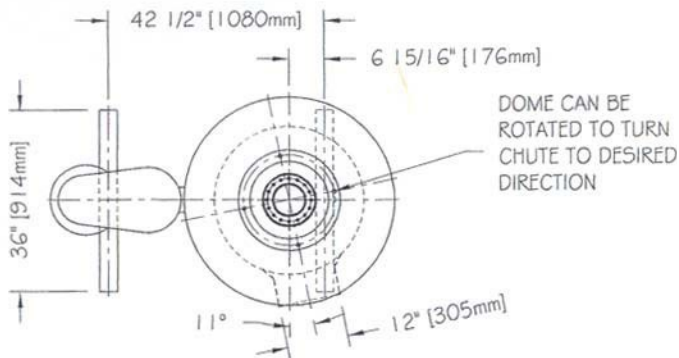
2808 Engineers Road
Belle Chasse, LA 70037
Tel. 504-393-1804
FAX 504-393-5166

www.FluidSystems.com

Atmospheric Degasser



General Specifications



Fluid Systems, Inc.

Screen Sales, Manufacturing & Engineering

16619 Aldine Westfield • Houston, TX 77032 • TEL 832-467-9898 • FAX 832-467-9897

Sales & Service

2808 Engineers Road • Belle Chasse, LA 70037 • TEL 504-393-1804 • FAX 504-393-5166

Sales@FluidSystems.com