

# SSR Desilter S



FSI *State of the Art* Solids Control Equipment



## Hydrocyclone

The Fluid Systems, Inc. desilter units are the result of an intensive research and development program initiated in 1950. Each hydrocyclone represents a product of advanced design, careful engineering, quality materials and finest workmanship.

## Manifold

Each hydrocyclone is attached to its manifold with a 2" [5.04cm] victaulic inlet and outlet. A 0 to 60 psi [4.2 kg/cm<sup>2</sup>] pressure gauge measures the inlet pressure for proper operation. This manifold is mounted on an oilfield type skid with a solids discharge trough feeding into an outlet.

## Units Available With 1 to 20 Cones/Header

### Technical Data

Series:	SSR
# of cones available:	1 to 20 per header
Inlet size:	Size depending on number of cones
Outlet size:	Size depending on number of cones
Overall dimensions:	Size depending on number of cones
Cone capacities:	60 GPM [227 lpm] @ 40 psi [2.8kg/cm <sup>2</sup> ]
Cone construction:	High durameter cast polyurethane

## The FSI Difference

- **Simple design**
- **Rugged and reliable**
- **High Performance**
- **Low maintenance**
- **Small footprint**
- **High volume hydrocyclones**
- **Roughneck friendly**



[www.FluidSystems.com](http://www.FluidSystems.com)

### Houston Office

16619 Aldine Westfield Rd.  
Houston, TX 77032  
832-467-9898  
FAX: 832-467-9897

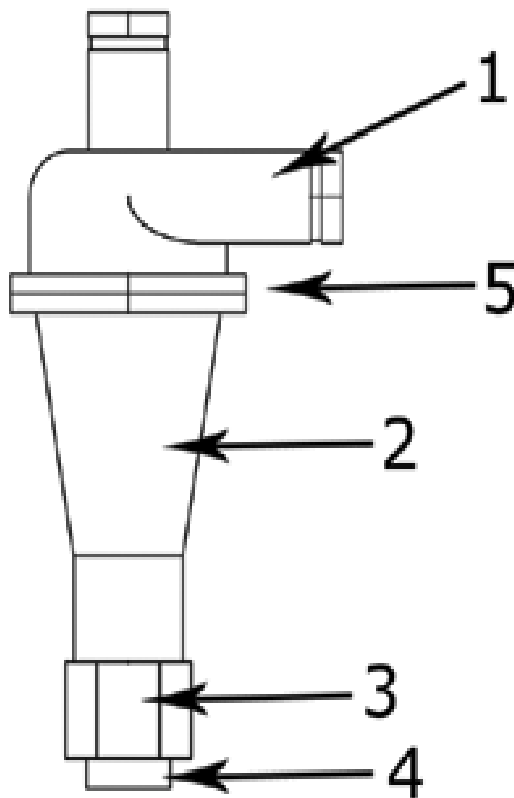
### New Orleans Office

2808 Engineers Road  
Belle Chasse, LA 70037  
504-393-1804  
FAX: 504-393-5166

# SSR Desilter S Cone

## Parts List

4" Desilter Cone Assembly  
FSI Part # - SSR281



Item No	Part No	Description	Weight
1	SSR281INLET	STANDARD 4" CONE INLET	3
2	SSR281CONE	STANDARD 4" CONE BODY	3
3	SSR281NUT	STANDARD 4" CONE NUT	0.5
4	SSR281APEX	STANDARD 4" CONE APEX	0.25
5	SSR281CLAMP	STANDARD 4" CONE CLAMP	0.5

**Fluid Systems, Inc.**

**Screen Sales, Manufacturing & Engineering**

16619AldineWestfield Rd • Houston, TX 77032 • TEL 832-467-9898 • FAX 832-467-9897

**Sales & Service**

2808 Engineers Road • Belle Chasse, LA 70037 • TEL 504-393-1804 • FAX 504-393-5166

[Info@FluidSystems.com](mailto:Info@FluidSystems.com)